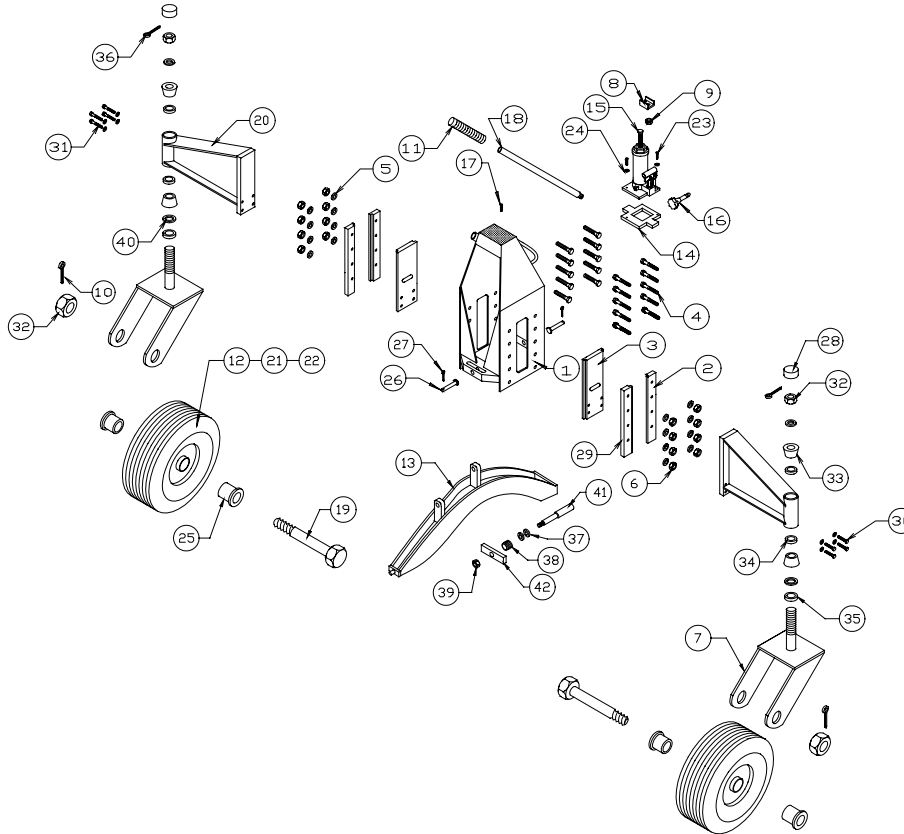


Page 1 of 2

BCW-25

ITEM NO.	PART NUMBER	DESCRIPTION	NO. REQ.
1	W-HUF-00M	FRAME ASSEMBLY	1
2	W-HUF-01R	GUIDE	2
3	W-245-04B	AXLE SLIDE	2
4	1/4-28 X 1	BOLT	16
5	AN960-416L	WASHER	16
6	AN364-428	ESNA NUT	16
7	W-25-10	CASTER BRACE ASSEMBLY	2
8	W-HUF-05	JACK CLIP	1
9	1/4-20	LOCK NUT	1
10	1/8 X 1 3/4	COTTER PIN	2
11	HG-1	GRIP	1
12	4.10/3.50 X 6 TR	TIRE	2
13	W-25-13	CARRIER ASSEMBLY	1
14	W-HUF-02	JACK BASE	1
15	W-HUF-03	3 TON JACK	1
16	W-HUF3-00	JACK RELEASE KNOB	1
17	1/4-20 X 1 1/2	SCREW 82° COUNTERSUNK	1
18	W-HUF1-12	JACK HANDLE	1
19	W-25-25	FORK BOLT	2
20	W-25-00	CASTER HOLDER ASSEMBLY	2
21	W-4.10/3.50 X 6 TB	TUBE	2
22	W-4.10/3.50 X 6 WH	WHEEL	2
23	1/4-20 X 3/4	ALLEN HEAD BOLT	2
24	1/4 HCLW	LOCK WASHER	2



Page 2 of 2

BCW-25

ITEM NO.	PART NUMBER	DESCRIPTION	NO. REQ.
25	W-25-09	5.00X5 WHEEL SPACER	4
26	MS20392-5C41	CLEVIS PIN	2
27	1/8 X 1	COTTER PIN	2
28	GC-2	DUST CAP	2
29	W-HUF-01L	GUIDE	2
30	3/8-24 X 1	BOLT	8
31	3/8 LW	LOCK WASHER	8
32	3/4-16	SLOTTED NUT	2
33	LM11949	BEARING CONE	2
34	LM11910	BEARING CUP	2
35	25-08	WASHER	2
36	1/8 X 1 3/4	COTTER KEY	2
37	3/8 SAE	WASHER	2
38	S-264	SPRING	1
39	1/4-20	LOCK NUT	2
40	111784VHY	GREASE SEAL	2
41	W-25-24	RELEASE PIN	1
42	W-25-23	RELEASE HANDLE	1