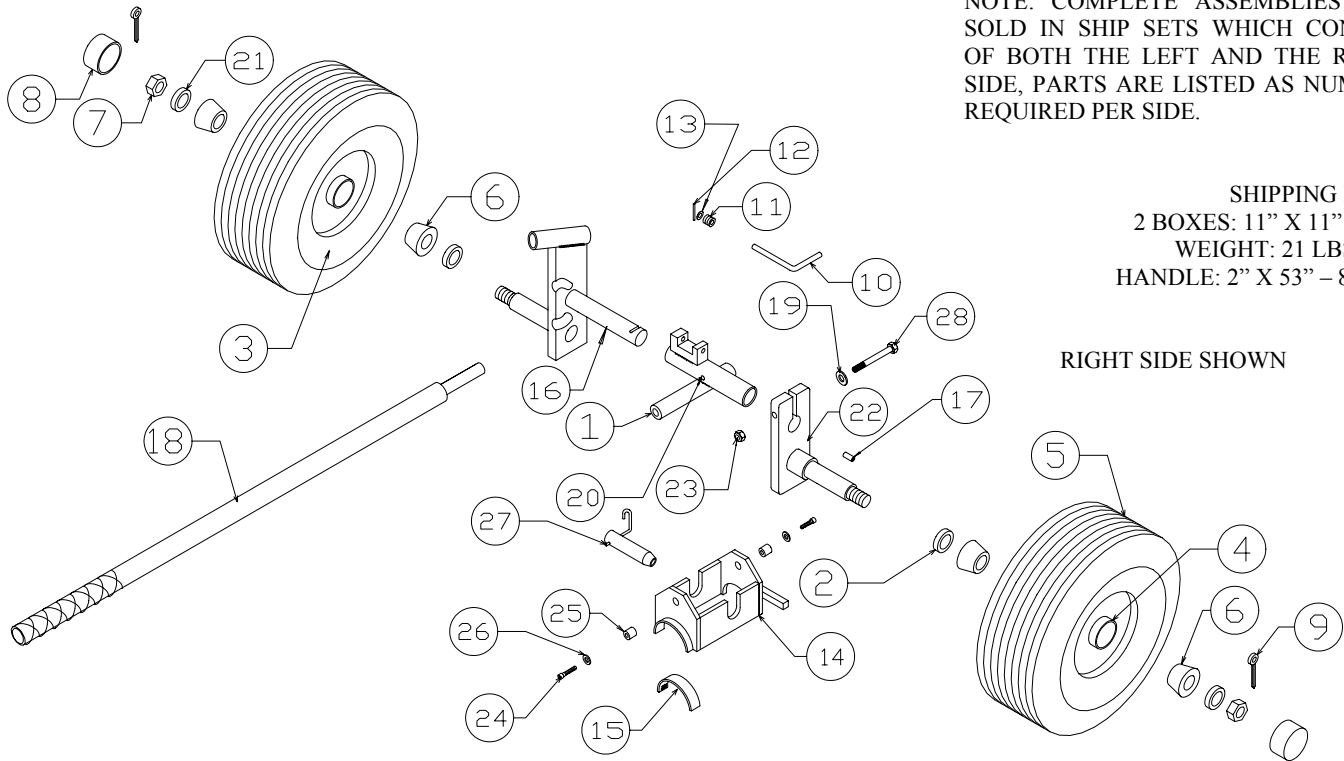


NOTE: COMPLETE ASSEMBLIES ARE SOLD IN SHIP SETS WHICH CONSIST OF BOTH THE LEFT AND THE RIGHT SIDE, PARTS ARE LISTED AS NUMBER REQUIRED PER SIDE.

SHIPPING INFO:  
2 BOXES: 11" X 11" X 16"  
WEIGHT: 21 LBS. EA.  
HANDLE: 2" X 53" - 8 LBS.

RIGHT SIDE SHOWN



Page 1 of 2

ELIGIBLE AIRCRAFT:  
ROBINSON R-22

MODEL:  
BDW-R22A

ITEM NO	PART NUMBER	DESCRIPTION	NO REQ.
1	W-22A-8L	LEFT CENTER SECTION	1
1	W-22A-8R	RIGHT CENTER SECTION	1
2	1117844VHY	SEAL - SPINDLE 1.25 DIAMETER	2
3	W-4.10/3.50 X 4 TB	INNER TUBE	2
4	W-4.10/3.50 X 4 TW	WHEEL ASM. W/ TIRE & BEARING	2
5	W-4.10/3.50 X 4 TR	TIRE 4 PLY	2
6	LM11949	BEARING CONE	4
7	NUT SLOTTED 3/4-16	SLOTTED NUT	2
8	HC-1	HUB CAP	2
9	PIN COTTER 1/8 X 1 1/2	COTTER PIN	2
10	W-U-101	L-PIN	1
11	AN960-516	WASHER	2
12	PIN ROLL 3/32 X 5/8	ROLL PIN	1
13	S-264	SPRING	2
14	W-22A-12L	FRAME ASSEMBLY	1
14	W-22A-12R	FRAME ASSEMBLY	1
15	W-28A-13	ROUGH BACK	1
16	W-28A-11L	LEFT OUTER ARM ASSEMBLY	1
16	W-28A-11R	RIGHT OUTER ARM ASSEMBLY	1
17	PIN ROLL 1/4 X 3/4	ROLL PIN	1
18	W-U-110	HANDLE	1
19	AN960-516L	WASHER	2
20	ZERK 1/4-28	ZERK GREASE FITTING	1
21	WASHER SAE 3/4	WASHER	4

