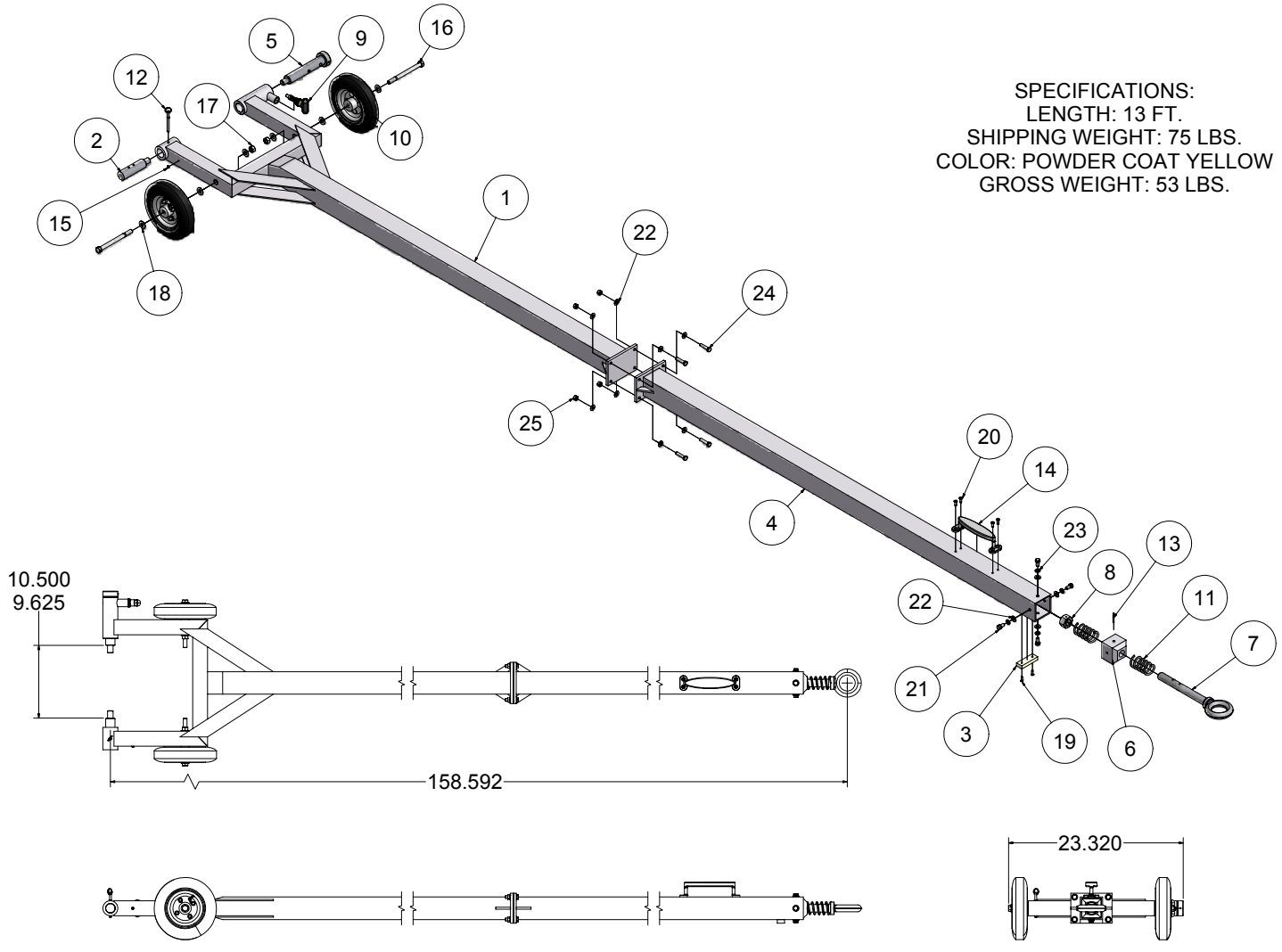


SPECIFICATIONS:
 LENGTH: 13 FT.
 SHIPPING WEIGHT: 75 LBS.
 COLOR: POWDER COAT YELLOW
 GROSS WEIGHT: 53 LBS.



HT-60A

ITEM	QTY	PART NUMBER	DESCRIPTION
1	1	HT60A-01-00	YOKE ASSEMBLY
2	1	HT60A-02-00	PIN
3	1	HT60-03-02	SCUFF PAD
4	1	HT60-04-00A	FORWARD TUBE ASSEMBLY
5	1	HT47-02-00	PIN ASSEMBLY
6	1	T-CL-02-01	HOUSING
7	1	T-CL-02-02	EYEBOLT
8	1	T-CL-02-03	NUT
9	1	90222A112	LOCKING PIN ASSEMBLY
10	2	W-2.80 X 4 TW	TIRE WHEEL ASSEMBLY
11	2	10145	SPRING
12	1	98700A140	1/4 X 2 RELEASE PIN
13	1	1/8 X 1 1/2	ROLL PIN
14	1	32817827	HANDLE
15	1	10 - 32 X 3/4	SCREW
16	2	1/2-13 X 6	BOLT
17	2	1/2 - 13	LOCK NUT
18	6	1/2	SAE WASHER
19	2	10-32 X 3/4	FLAT HEAD SCREW
20	4	1/4-28 X 3/4	FLAT HEAD SCREW
21	4	3/8-16 X 3/4	BOLT
22	12	3/8	SAE WASHER
23	4	3/8	LOCK WASHER
24	4	3/8-24 X 1 1/2	BOLT
25	4	3/8-24	LOCK NUT