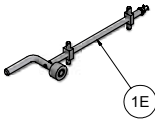


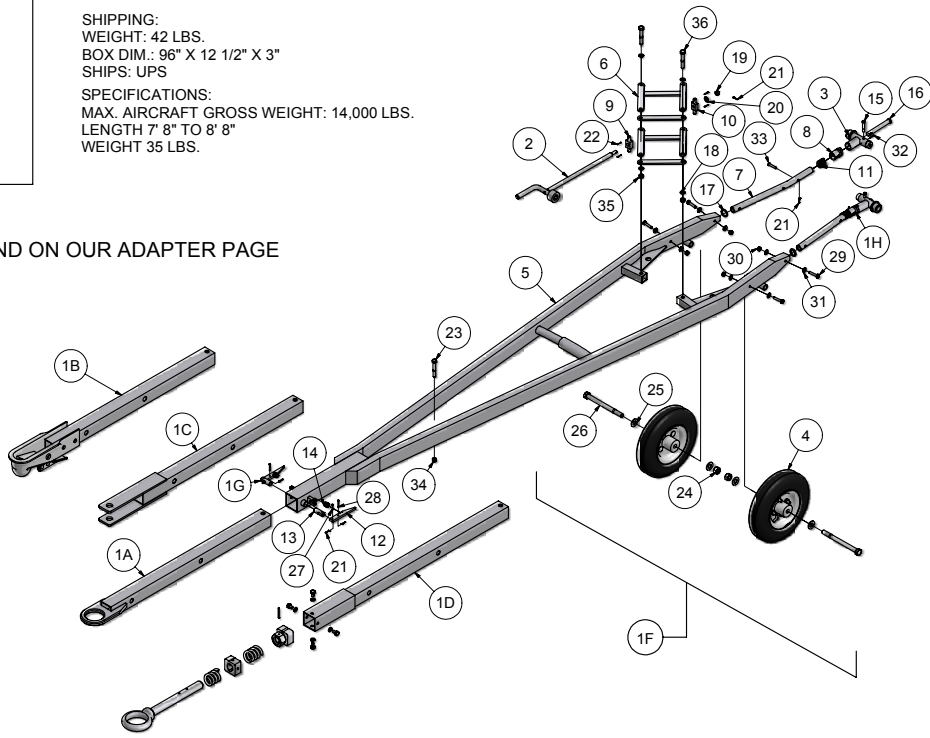
CRANK ASSEMBLY



SHIPPING:
 WEIGHT: 42 LBS.
 BOX DIM.: 96" X 12 1/2" X 3"
 SHIPS: UPS

SPECIFICATIONS:
 MAX. AIRCRAFT GROSS WEIGHT: 14,000 LBS.
 LENGTH 7' 8" TO 8' 8"
 WEIGHT 35 LBS.

ADAPTERS CAN BE FOUND ON OUR ADAPTER PAGE



ITEM	MODEL: TR-34R	TR-34B	TR-34C	TR-34SR	DESCRIPTION	QTY	PRICE EA.
	PART NUMBER						
1A	T-34-01				RING TONGUE	1	\$65.00
1B	T-34-02				BALL TONGUE	1	85.00
1C	T-34-03				CLEVIS TONGUE	1	65.00
1D	T-34-04				SHOCK RING HITCH	1	150.00
1E	T-345				CRANK ASM.	1	40.00
1F	T-4W				WHEEL ASM.	1	96.00
1G	T-103				LEVER ASM.	1	22.00
1H	T-334L & R				LEFT AND RIGHT END ASM.	1	67.00
2	T-108				CRANK	1	24.00
3	T-425				HEAD	2	38.50
4	W-2.80 X 4 TW				TIRE WHEEL ASSEMBLY	2	47.12
5	T-344				FRAME	1	250.00
6	T-109A				STRAP	8	3.00
7	T-427				END TUBE	2	12.00
8	T-420				BARREL	2	12.00
9	T-112				ACME TEE	1	10.96
10	T-113				PLAIN TEE	1	6.20
11	T-116				SPRING	2	5.50
12	T-104				LEVER	2	5.50
13	T-105				BARREL	2	9.50
14	3545				SPRING	2	3.45
15	T-412				PIN	2	7.50
16	T-407				PIN	2	8.00
17	T-423				BACKUP WASHER	2	.85
18	AN960-616				WASHER	4	-
19	AN310-5				CASTLE NUT	4	-
20	AN960-516				WASHER	1	-
21	1/16 X 1				COTTER PIN	7	-
22	3/32 x 5/8				ROLL PIN	4	-
23	5/16-24 X 2 1/2				BOLT	1	-
24	1/2-13 X 6				NUT	2	-
25	1/2				WASHER	6	-
26	1/2-13				BOLT	2	-
27	MS20392-1C19				CLEVIS PIN	2	-
28	MS20392-1C25				CLEVIS PIN	2	-
29	1/4-28 X 1 1/4				BOLT	4	-
30	AN364-428				NUT	4	-
31	AN960-416L				WASHER	8	-
32	3/32 x 3/4				ROLL PIN	2	-
33	MS20392-3C33				CLEVIS PIN	2	-
34	5/16-24				LOCK NUT	1	-
35	3/8-24				LOCK NUT	1	-
36	3/8-24 X 2 1/2				BOLT	2	-